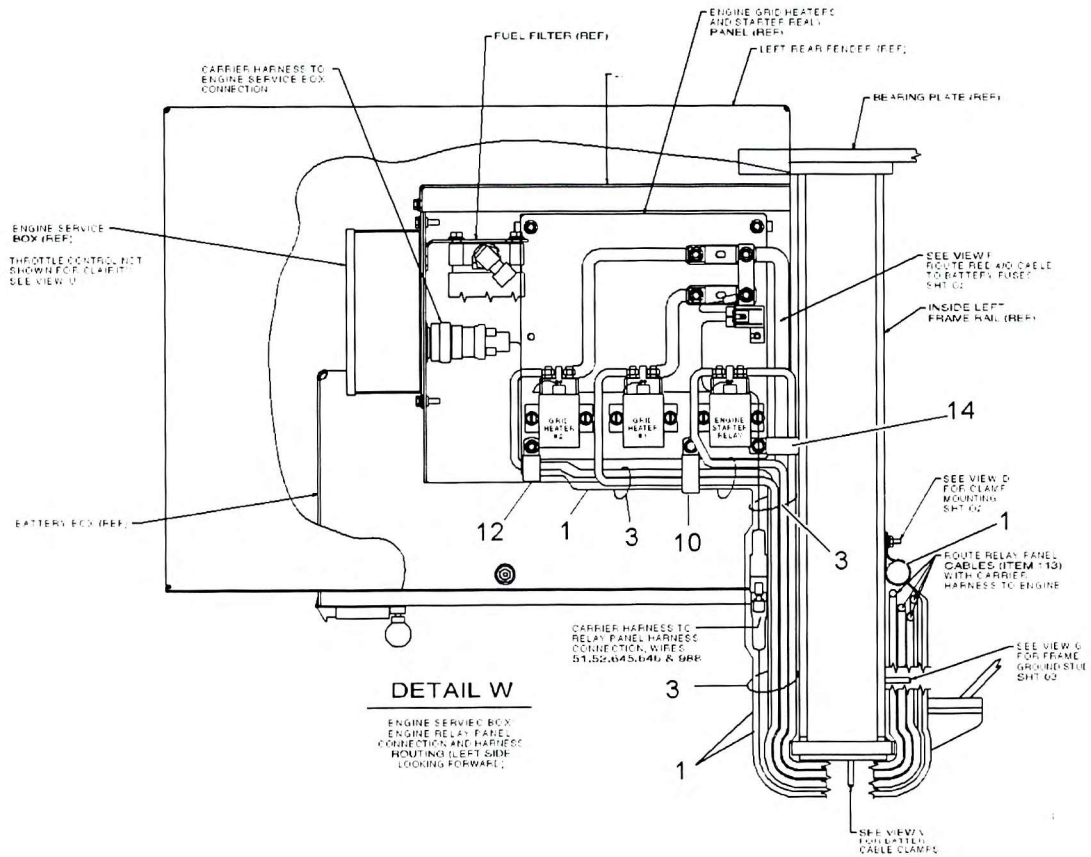
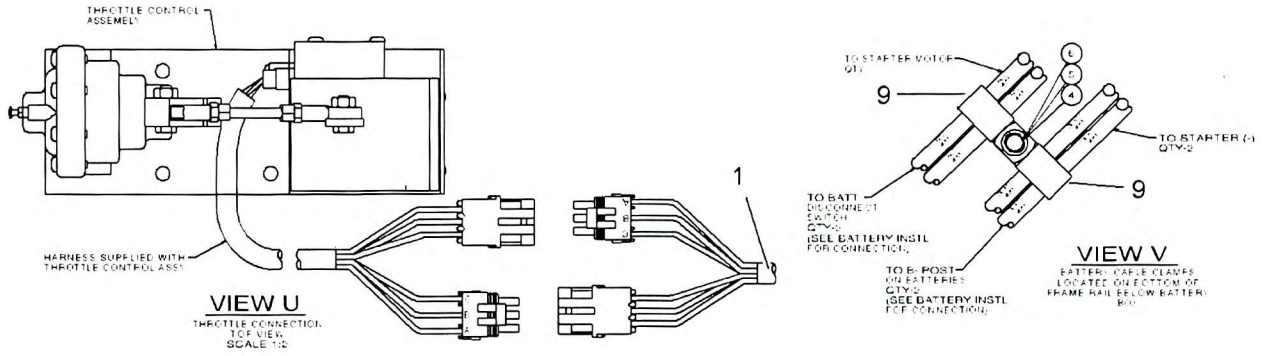
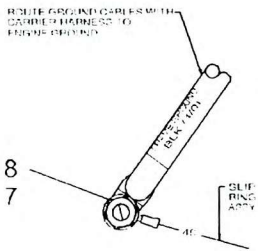
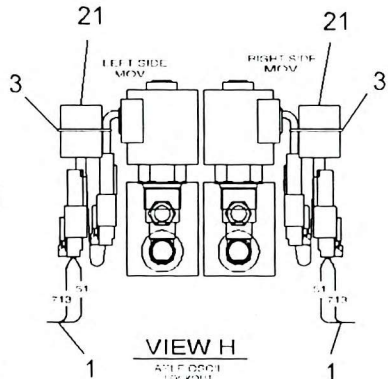


Manitowoc Crane Group

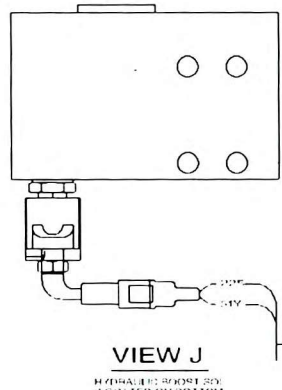




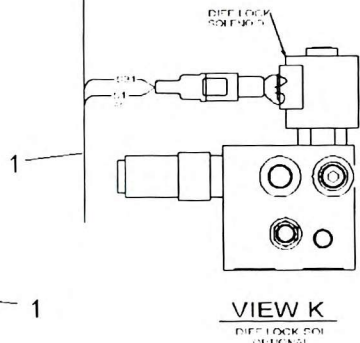
VIEW G
EMMR (EMERGENCY) SWITCH



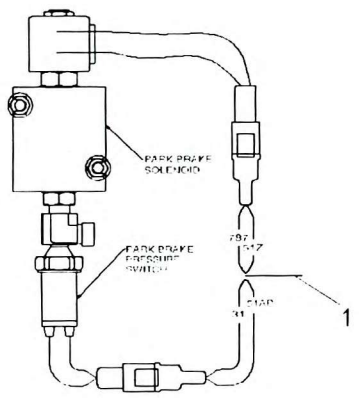
VIEW H
LEFT SIDE MOV
RIGHT SIDE MOV



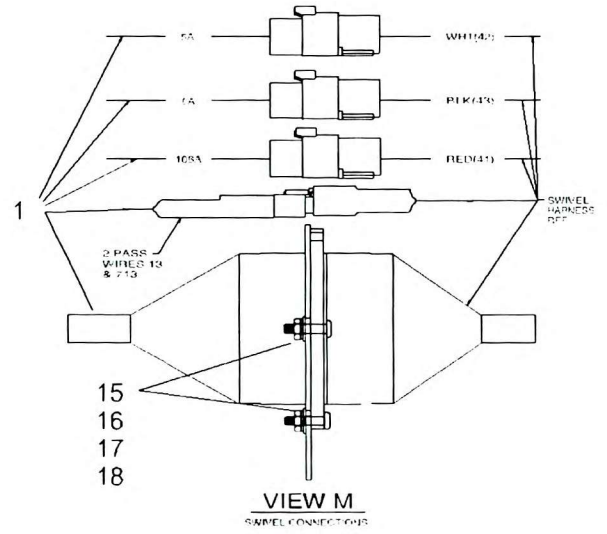
VIEW J
HYDRAULIC BOOST SOL.
(LOCATED ON FOLLOWER
LEFT SIDE OF SWIVEL)



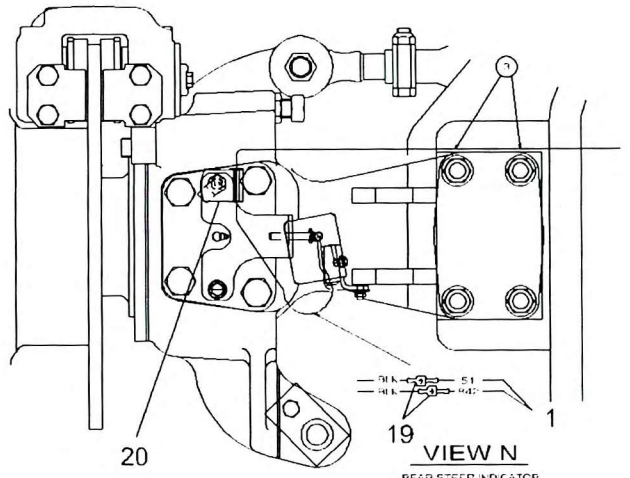
VIEW K
DIFF LOCK SOL (OPTIONAL)



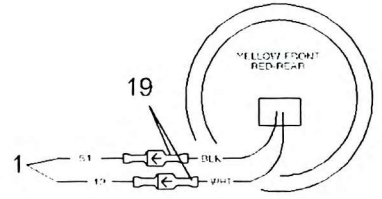
VIEW L
P-RY PARK SOL
& P-RY SOLVE SW



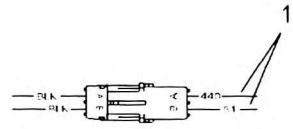
VIEW M
SWIVEL CONNECTIONS



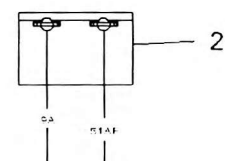
VIEW N
REAR STEER INDICATOR
(LEFT REAR WHEEL)



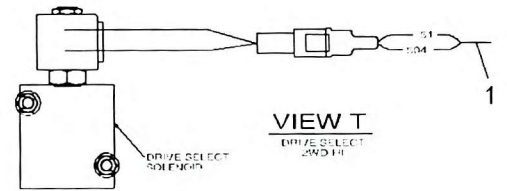
VIEW P
MARKER LIGHTS



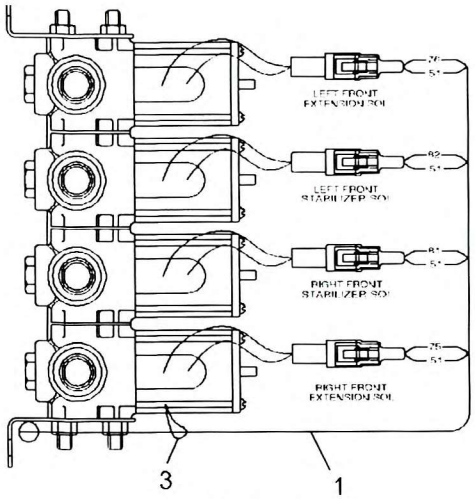
VIEW R
DIFF LOCK SW (TYPE)
(OPTIONAL)



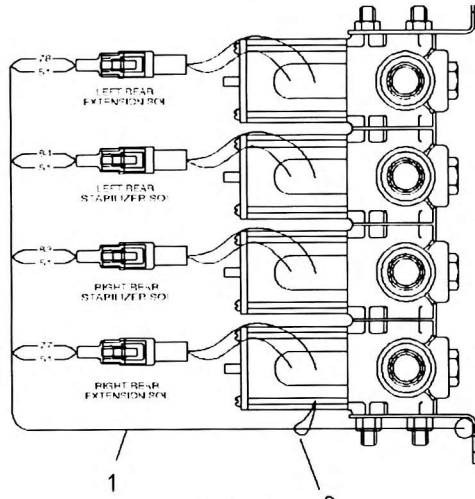
VIEW S
FOUR WHEEL



VIEW T
DRIVE SELECT
SOL (PUSH)

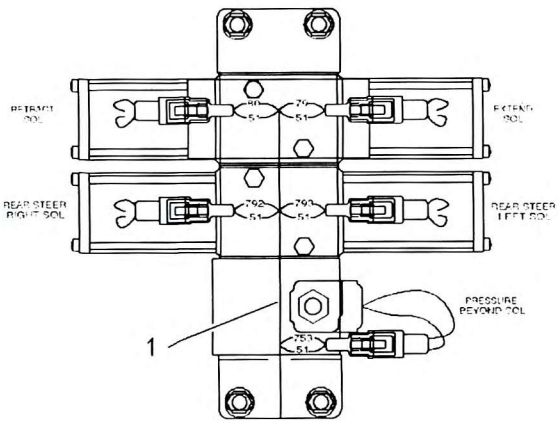


FRONT OUTRIGGER VALVES

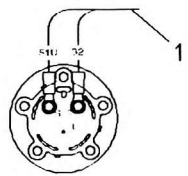


REAR OUTRIGGER VALVES

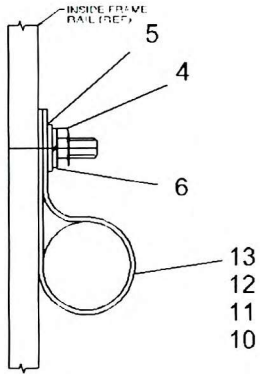
VIEW A
O/R CONTROL VALVES



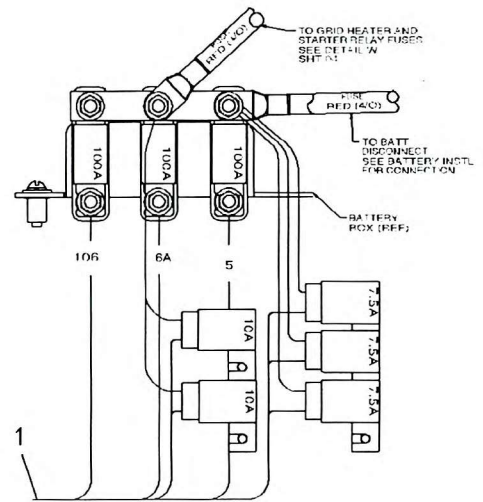
VIEW B
INTEGRATED O/R VALVE



VIEW C
FIRE SENDER



VIEW D
P CLAMP



VIEW F
POWER FUSES BATTERY BOX

